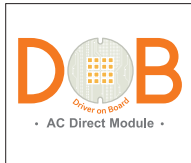


CMED 312(4)P-EM^C

120V, 220V-230V and 277V

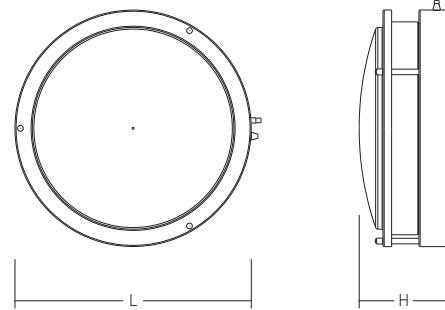
LED Ceiling Flush Mounted Luminaires with Emergency Back-up ready



Catalog #		Type
Project		Date
Prepared by		

Flush Mount LED Emergency

* Available in glass diffuser.



■ Dimension Table

Housing	[CMED 312P-EM]	[CMED 314P-EM]
Overall Diameter (L)	11-3/4" (Ø300mm)	14-5/8" (Ø370mm)
Height (H)	4-1/2" (112.8mm)	5-1/8" (Ø131.1mm)

EMERGENCY	MAINTAINED
Battery	11.1V / 2.6Ah Ni-MH Re-chargeable
Emergency Output	20% Nominal Power
Emergency Duration	> 3 Hours
Charge Time	< 24 Hours
LED Indication	Red - Charging
	Green - Full Charged
	Yellow - Faulty
Test Button	4W - ITS

HOUSING	SPECIFICATION			
	NORMAL		EM MODE	
	CMED 312P-EM	CMED 314P-EM	CMED 312P-EM	CMED 314P-EM
Wattage (Typ)	15W	23W	15W	23W
Lumen (Typ)	1,050(80CRI)	1,500(80CRI)	630(80CRI)	900(80CRI)
Efficacy (LPW)	70 lm/W	65 lm/W	42 lm/W	39 lm/W
CRI (Typical)	80, 90			
Color (+/-5%)	2700K, 3000K, 3500K, 4000K, 5000K			
Dimming	Triac(Consult with factory for approved dimmers)			

FEATURES and FUNCTIONS

- 120V AC LED module with integrated IC chip imbed on board and 10-100% Triac dimming with most of leading and trailing edge dimmer switches in the market.
- Durable metallic structure and heat sink to facilitate heat dissipation.
- One piece emergency battery back-up kit with the light module allowing to ceiling Junction box mounting.
- PC diffused lens delivers perfect light distribution.
- 90CRI Standard. Available in 2700K, 3000K, 3500K, 4000K and 5000K.
- Triac dimmable standard.

Listing

- CSA-us Certificated(UL924)
- Energy star Approved & Listed
- State of California Title 24
- Damp location

Warranty

- 5years of lamp life.

ORDERING INFORMATION

Housing	CRI	CCT	Diffuser	Finish
CMED 312P-EM 12", 15W	8 80	27 2700K	P Plastic	WH White
CMED 314P-EM 14", 23W	9 90	30 3000K	G Glass	BK Black
		35 3500K		BN Brush Nickel
		40 4000K		SN Satin Nickel
		50 5000K		CH Chrome

*Consult with factory for custom finishes

Example : CMED 312P-EM-830-P-WH

- - -

J-Box Mounting

